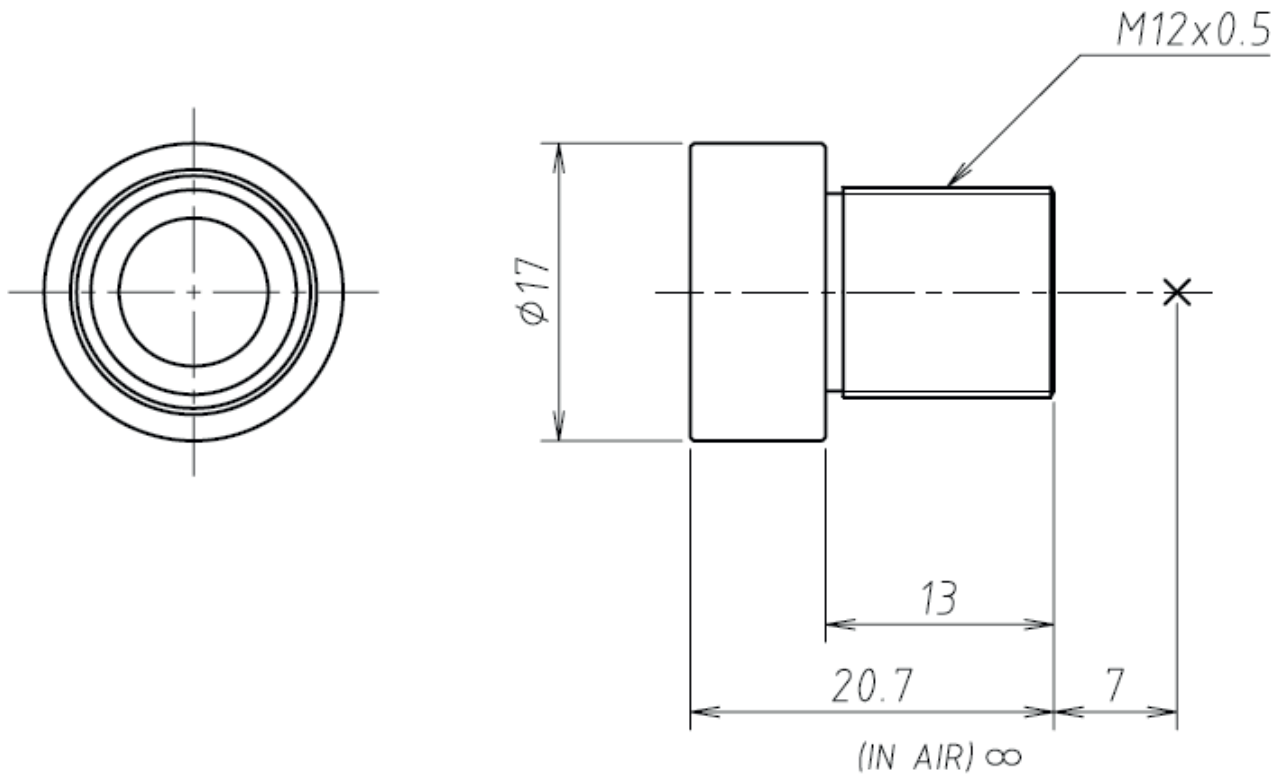


H0924KP

**f = 9.0mm F2.4 Megapixel lens
for 1/2 type Format Board Cameras, No Iris**

Model No.	H0920KP		Effective	Front	φ 8.5mm		
Focal Length	9.0mm		Lens Aperture	Rear	φ 8.2mm		
Max. Aperture Ratio	1:2.4		Distortion		-1.6% (y=4)		
Max. Image Format	6.4mm x 4.8mm(φ 8mm)		Back Focal Length		6.58mm		
Operation Range	Iris	—		Flange Back Length		—	
	Focus	0.2m - Inf.		Mount		M12 P=0.5mm	
Object Dimension at M.O.D.	1/2 type	14.7cm x 11.0cm (φ 18.4)		Dimensions		φ 17.0mm x 20.7mm	
	1/3 type	11.0cm x 8.2cm (φ 13.8)		Weight		7.0g	
Coating	MgF2 Single Coat (All Surfaces λ = 510nm)						
Angle of View	D	1/2 type	48.6°	1/3 type	37.3°	1/4 type	28.3°
	H		39.6°		30.1°		22.7°
	V		30.1°		22.7°		17.1°

Dimensions



O-COMP15-06/2015 · Subject to technical change without notice. No liability is accepted for errors which may be contained in this document.